

MAXIM

Programmable DC-Balance 21-Bit Deserializers

General Description

The MAX9210/MAX9212/MAX9214/MAX9216/MAX9220/MAX9222 deserialize three LVDS serial data inputs into 21 single-ended LVCMOS/LVTTL outputs. A parallel rate LVDS clock received with the LVDS data streams provides timing for deserialization. The outputs have a separate supply, allowing 1.8V to 5V output logic levels.

The MAX9210/MAX9212/MAX9214/MAX9216/MAX9220/MAX9222 feature programmable DC balance, which allows isolation between a serializer and deserializer using AC-coupling. A deserializer decodes data transmitted by a MAX9209/MAX9211/MAX9213/MAX9215 serializer.

The MAX9210/MAX9212/MAX9214/MAX9216 have rising-edge output strobes, and when DC balance is not programmed, are compatible with non-DC-balanced 21-bit deserializers such as the DS90CR216A and DS90CR218A. The MAX9220/MAX9222 have falling-edge output strobes.

Two frequency versions and two DC-balance default conditions are available for maximum replacement flexibility and compatibility with popular non-DC-balanced deserializers. The transition time of the single-ended outputs is increased on the low-frequency version parts (MAX9210/MAX9212/MAX9220) for reduced EMI. The LVDS inputs meet IEC 61000-4-2 Level 4 ESD specification, $\pm 15\text{kV}$ for Air Discharge and $\pm 8\text{kV}$ Contact Discharge.

The MAX9210/MAX9212/MAX9214/MAX9216/MAX9220/MAX9222 are available in TSSOP and space-saving QFN packages, and operate over the -40°C to $+85^\circ\text{C}$ temperature range.

Applications

Automotive Navigation Systems
Automotive DVD Entertainment Systems
Digital Copiers
Laser Printers

Functional Diagram and Pin Configurations appear at end of data sheet.

Features

- ◆ Programmable DC Balance or Non-DC Balance
- ◆ DC Balance Allows AC-Coupling for Wider Input Common-Mode Voltage Range
- ◆ As Low as 8MHz Operation (MAX9210/MAX9212/MAX9220)
- ◆ Falling-Edge Output Strobe (MAX9220/MAX9222)
- ◆ Slower Output Transitions for Reduced EMI (MAX9210/MAX9212/MAX9220)
- ◆ High-Impedance Outputs when $\overline{\text{PWRDWN}}$ is Low Allow Output Busing
- ◆ Pin Compatible with DS90CR216A/DS90CR218A (MAX9210/MAX9212/MAX9214/MAX9216)
- ◆ Fail-Safe Inputs in Non-DC-Balanced Mode
- ◆ 5V Tolerant $\overline{\text{PWRDWN}}$ Input
- ◆ PLL Requires No External Components
- ◆ Up to 1.785Gbps Throughput
- ◆ Separate Output Supply Pins Allow Interface to 1.8V, 2.5V, 3.3V, and 5V Logic
- ◆ LVDS Inputs Meet IEC 61000-4-2 Level 4 ESD Requirements
- ◆ LVDS Inputs Conform to ANSI TIA/EIA-644 LVDS Standard
- ◆ Low-Profile 48-Lead TSSOP and Space-Saving QFN Packages
- ◆ +3.3V Main Power Supply
- ◆ -40°C to $+85^\circ\text{C}$ Operating Temperature Range

Ordering Information

PART	TEMP RANGE	PIN-PACKAGE
MAX9210ETM*	-40°C to $+85^\circ\text{C}$	48 Thin QFN-EP**
MAX9210EUM*	-40°C to $+85^\circ\text{C}$	48 TSSOP
MAX9212ETM*	-40°C to $+85^\circ\text{C}$	48 Thin QFN-EP**
MAX9212EUM*	-40°C to $+85^\circ\text{C}$	48 TSSOP
MAX9214ETM*	-40°C to $+85^\circ\text{C}$	48 Thin QFN-EP**
MAX9214EUM	-40°C to $+85^\circ\text{C}$	48 TSSOP
MAX9216ETM*	-40°C to $+85^\circ\text{C}$	48 Thin QFN-EP**
MAX9216EUM*	-40°C to $+85^\circ\text{C}$	48 TSSOP
MAX9220ETM*	-40°C to $+85^\circ\text{C}$	48 Thin QFN-EP**
MAX9220EUM	-40°C to $+85^\circ\text{C}$	48 TSSOP
MAX9222ETM*	-40°C to $+85^\circ\text{C}$	48 Thin QFN-EP**
MAX9222EUM	-40°C to $+85^\circ\text{C}$	48 TSSOP

*Future product—contact factory for availability.

**EP = Exposed pad.

Programmable DC-Balance 21-Bit Deserializers

ABSOLUTE MAXIMUM RATINGS

V _{CC} to GND	-0.5V to +4.0V	Junction Temperature	+150°C
V _{CC0} to GND	-0.5V to +6.0V	ESD Protection	
RxIN ₋ , RxCLK IN ₋ to GND	-0.5V to +4.0V	Human Body Model (R _D = 1.5kΩ, C _S = 100pF)	
PWRDWN to GND	-0.5V to +6.0V	All Pins to GND	±5kV
DCB/NC to GND	-0.5V to (V _{CC} + 0.5V)	IEC 61000-4-2 (R _D = 330Ω, C _S = 150pF) Level 4	
RxOUT ₋ , RxCLK OUT to GND	-0.5V to (V _{CC0} + 0.5V)	Contact Discharge LVDS Inputs (RxIN ₋ , RxCLK IN ₋)	
Continuous Power Dissipation (T _A = +70°C)		to GND	±8kV
48-Pin TSSOP (derate 16mW/°C above +70°C)	1282mW	Air Discharge LVDS Inputs (RxIN ₋ , RxCLK IN ₋)	
48-Lead Thin QFN		to GND	±15kV
(derate 26.3mW/°C above +70°C)	2105mW	Lead Temperature (soldering, 10s)	+300°C
Storage Temperature Range	-65°C to +150°C		

Stresses beyond those listed under "Absolute Maximum Ratings" may cause permanent damage to the device. These are stress ratings only, and functional operation of the device at these or any other conditions beyond those indicated in the operational sections of the specifications is not implied. Exposure to absolute maximum rating conditions for extended periods may affect device reliability.

DC ELECTRICAL CHARACTERISTICS

(V_{CC} = +3.0V to +3.6V, V_{CC0} = +3.0V to +5.5V, PWRDWN = high, DCB/NC = high or low, differential input voltage |V_{ID}| = 0.05V to 1.2V, input common-mode voltage V_{CM} = |V_{ID}|/2 to 2.4V - |V_{ID}|/2, T_A = -40°C to +85°C, unless otherwise noted. Typical values are at V_{CC} = V_{CC0} = +3.3V, V_{ID} = 0.2V, V_{CM} = 1.25V, T_A = +25°C). (Notes 1, 2)

PARAMETER	SYMBOL	CONDITIONS	MIN	TYP	MAX	UNITS
SINGLE-ENDED INPUTS (PWRDWN, DCB/NC)						
High-Level Input Voltage	V _{IH}	PWRDWN	2.0		5.5	V
		DCB/NC	2.0		V _{CC} + 0.3	
Low-Level Input Voltage	V _{IL}		-0.3		+0.8	V
Input Current	I _{IN}	V _{IN} = high or low, PWRDWN = high or low	-20		+20	μA
Input Clamp Voltage	V _{CL}	I _{CL} = -18mA			-1.5	V
SINGLE-ENDED OUTPUTS (RxOUT₋, RxCLK OUT)						
High-Level Output Voltage	V _{OH}	I _{OH} = -100μA			V _{CC0} - 0.1	V
		I _{OH} = -2mA	MAX9210/ MAX9212/ MAX9220	RxCLK OUT	V _{CC0} - 0.25	
				RxOUT ₋	V _{CC0} - 0.40	
		MAX9214/MAX9216/MAX9222		V _{CC0} - 0.25		
Low-Level Output Voltage	V _{OL}	I _{OL} = 100μA			0.1	V
		I _{OL} = 2mA	MAX9210/ MAX9212/ MAX9220	RxCLK OUT	0.2	
				RxOUT ₋	0.26	
		MAX9214/MAX9216/MAX9222		0.2		
High-Impedance Output Current	I _{OZ}	PWRDWN = low, V _{OUT₋} = -0.3V to V _{CC0} + 0.3V	-20		20	μA

Programmable DC-Balance 21-Bit Deserializers

DC ELECTRICAL CHARACTERISTICS (continued)

($V_{CC} = +3.0V$ to $+3.6V$, $V_{CCO} = +3.0V$ to $+5.5V$, $\overline{PWRDWN} = \text{high}$, $DCB/NC = \text{high or low}$, differential input voltage $|V_{ID}| = 0.05V$ to $1.2V$, input common-mode voltage $V_{CM} = |V_{ID}|/2$ to $2.4V - |V_{ID}|/2$, $T_A = -40^\circ\text{C}$ to $+85^\circ\text{C}$, unless otherwise noted. Typical values are at $V_{CC} = V_{CCO} = +3.3V$, $V_{ID} = 0.2V$, $V_{CM} = 1.25V$, $T_A = +25^\circ\text{C}$). (Notes 1, 2)

PARAMETER	SYMBOL	CONDITIONS		MIN	TYP	MAX	UNITS	
Output Short-Circuit Current (Note: Short one output at a time.)	I_{OS}	$V_{CCO} = 3.0V$ to $3.6V$, $V_{OUT} = 0$	MAX9210/ MAX9212/ MAX9220	RxCLK OUT	-10	-40	mA	
				RxOUT_	-5	-20		
			MAX9214/MAX9216/MAX922		-10	-40		
		$V_{CCO} = 4.5V$ to $5.5V$, $V_{OUT} = 0$	MAX9210/ MAX9212/ MAX9220	RxCLK OUT	-28	-75		
				RxOUT_	-14	-37		
			MAX9214/MAX9216/MAX922		-28	-75		
LVDS INPUTS								
Differential Input High Threshold	V_{TH}					50	mV	
Differential Input Low Threshold	V_{TL}			-50			mV	
Input Current	I_{IN+} , I_{IN-}	$\overline{PWRDWN} = \text{high or low}$		-25		+25	μA	
Power-Off Input Current	I_{INO+} , I_{INO-}	$V_{CC} = V_{CCO} = 0$ or open, $DCB/NC, \overline{PWRDWN} = 0$ or open		-25		+25	μA	
Input Resistor 1	R_{IN1}	$\overline{PWRDWN} = \text{high or low}$, Figure 1		42		78	k Ω	
		$V_{CC} = V_{CCO} = 0$ or open, Figure 1						
Input Resistor 2	R_{IN2}	$\overline{PWRDWN} = \text{high or low}$, Figure 1		246		410	k Ω	
		$V_{CC} = V_{CCO} = 0$ or open, Figure 1						
POWER SUPPLY								
Worst-Case Supply Current	I_{CCW}	$C_L = 8\text{pF}$, worst- case pattern, DC- balanced mode; $V_{CC} = V_{CCO}$ $= 3.0V$ to $3.6V$, Figure 2	MAX9210/ MAX9212/ MAX9220	8MHz	32	42	mA	
				16MHz	46	57		
				34MHz	81	98		
			MAX9214/ MAX9216/ MAX9222	16MHz	52	63		
				34MHz	86	106		
				66MHz	152	177		
			$C_L = 8\text{pF}$, worst case pattern, non-DC-balanced mode; $V_{CC} = V_{CCO}$ $= 3.0V$ to $3.6V$, Figure 2	MAX9210/ MAX9212/ MAX9220	10MHz	33		42
					20MHz	46		58
		33MHz			67	80		
		MAX9214/ MAX9216/ MAX9222		40MHz	78	94		
				20MHz	53	64		
				33MHz	72	85		
				40MHz	81	99		
				66MHz	127	149		
		85MHz	159	186				
Power-Down Supply Current	I_{CCZ}	$\overline{PWRDWN} = \text{low}$				50	μA	

MAX9210/MAX9212/MAX9214/MAX9216/MAX9220/MAX9222

Programmable DC-Balance 21-Bit Deserializers

AC ELECTRICAL CHARACTERISTICS

($V_{CC} = V_{CC0} = +3.0V$ to $+3.6V$, $100mV_{P-P}$ at $200kHz$ supply noise, $C_L = 8pF$, $\overline{PWRDWN} = \text{high}$, $DCB/NC = \text{high or low}$, differential input voltage $|V_{ID}| = 0.1V$ to $1.2V$, Input Common Mode Voltage $V_{CM} = |V_{ID}|/2$ to $2.4V - |V_{ID}|/2$, $T_A = -40^\circ C$ to $+85^\circ C$, unless otherwise noted. Typical values are at $V_{CC} = V_{CC0} = +3.3V$, $|V_{ID}| = 0.2V$, $V_{CM} = 1.25V$, $T_A = 25^\circ C$). (Notes 3, 4, 5)

PARAMETER	SYMBOL	CONDITIONS		MIN	TYP	MAX	UNITS	
Output Rise Time	CLHT	0.1V _{CC0} to 0.9V _{CC0} , Figure 3	MAX9210/ MAX9212/ MAX9220	RxOUT_	3.52	5.04	6.24	ns
				RxCLK OUT	2.2	3.15	3.9	
			MAX9214/MAX9216/MAX9222		2.2	3.15	3.9	
Output Fall Time	CHLT	0.9V _{CC0} to 0.1V _{CC0} , Figure 3	MAX9210/ MAX9212/ MAX9220	RxOUT_	1.95	3.18	4.35	ns
				RxCLK OUT	1.3	2.12	2.9	
			MAX9214/MAX9216/MAX9222		1.3	2.12	2.9	
RxIN Skew Margin	RSKM	DC-balanced mode, Figure 4 (Note 6)		8MHz	6600	7044	ps	
				16MHz	2560	3137		
				34MHz	900	1327		
				66MHz	330	685		
				Non-DC-balanced mode, Figure 4 (Note 6)	10MHz	6600		7044
					20MHz	2500		3300
					40MHz	960		1448
	85MHz	330	685					
RxCLK OUT High Time	RCOH	Figures 5a, 5b		0.35 x RCOP		ns		
RxCLK OUT Low Time	RCOL	Figures 5a, 5b		0.35 x RCOP		ns		
RxOUT Setup to RxCLK OUT	RSRC	Figures 5a, 5b		0.30 x RCOP		ns		
RxOUT Hold from RxCLK OUT	RHRC	Figures 5a, 5b		0.45 x RCOP		ns		
RxCLK IN to RxCLK OUT Delay	RCCD	Figures 6a, 6b		4.9	6.17	8.1	ns	
Deserialzer Phase-Locked Loop Set	RPLLS	Figure 7				32800 x RCIP	ns	
Deserialzer Power-Down Delay	RPDD	Figure 8				100	ns	

Note 1: Current into a pin is defined as positive. Current out of a pin is defined as negative. All voltages are referenced to ground except V_{TH} and V_{TL} .

Note 2: Maximum and minimum limits over temperature are guaranteed by design and characterization. Devices are production tested at $T_A = +25^\circ C$.

Note 3: AC parameters are guaranteed by design and characterization, and are not production tested. Limits are set at ± 6 sigma.

Note 4: C_L includes probe and test jig capacitance.

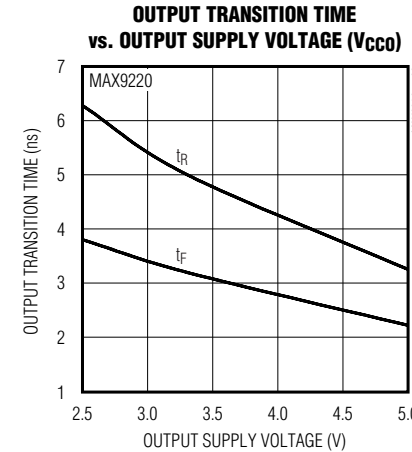
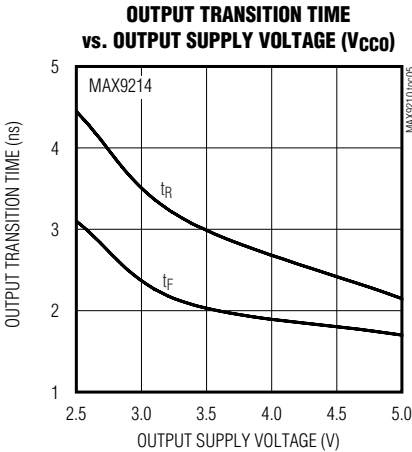
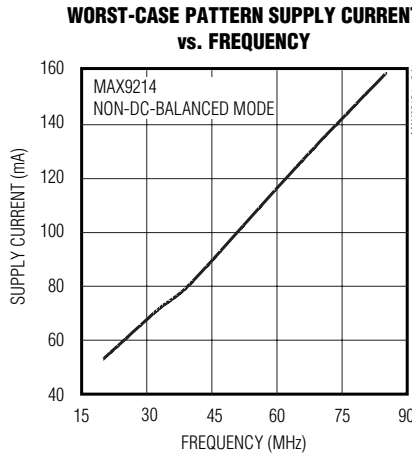
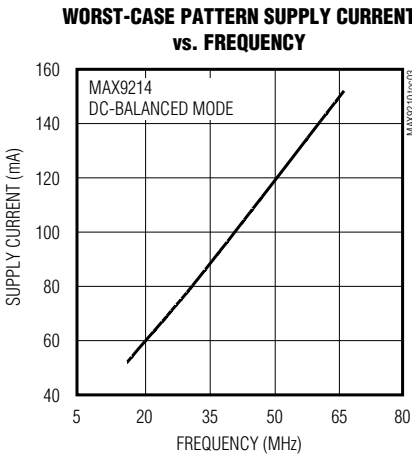
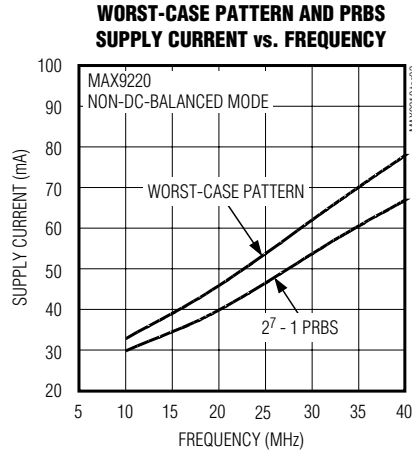
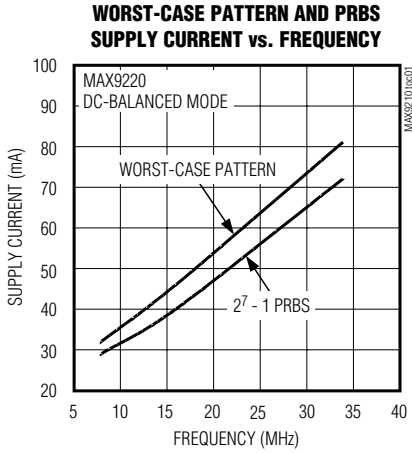
Note 5: RCIP is the period of RxCLK IN. RCOP is the period of RxCLK OUT. $RCIP = RCOP$.

Note 6: RSKM measured with $\leq 150ps$ cycle-to-cycle jitter on RxCLK IN.

Programmable DC-Balance 21-Bit Deserializers

Typical Operating Characteristics

($V_{CC} = V_{CC0} = +3.3V$, $C_L = 8pF$, $PWRDWN = \text{high}$, differential input voltage $|V_{ID}| = 0.2V$, input common-mode voltage $V_{CM} = 1.2V$, $T_A = +25^\circ C$, unless otherwise noted.)



MAX9210/MAX9212/MAX9214/MAX9216/MAX9220/MAX9222

Programmable DC-Balance 21-Bit Deserializers

Pin Description

PIN		NAME	FUNCTION
TSSOP	QFN		
1, 2, 4, 5, 45, 46, 47	39, 40, 41, 43, 44, 46, 47	RxOUT14– RxOUT20	Channel 2 Single-Ended Outputs
3, 25, 32, 38, 44	19, 26, 32, 38, 45	GND	Ground
6	48	DCB/NC	LVTTTL/LVCMOS DC-Balance Programming Input: MAX9210: pulled up to V _{CC} MAX9212: pulled down to GND MAX9214: pulled up to V _{CC} MAX9216: pulled down to GND MAX9220: pulled up to V _{CC} MAX9222: pulled up to V _{CC} See Table 1.
7, 13, 18	1, 7, 12	LVDS GND	LVDS Ground
8	2	RxIN0-	Inverting Channel 0 LVDS Serial Data Input
9	3	RxIN0+	Noninverting Channel 0 LVDS Serial Data Input
10	4	RxIN1-	Inverting Channel 1 LVDS Serial Data Input
11	5	RxIN1+	Noninverting Channel 1 LVDS Serial Data Input
12	6	LVDS V _{CC}	LVDS Supply Voltage
14	8	RxIN2-	Inverting Channel 2 LVDS Serial Data Input
15	9	RxIN2+	Noninverting Channel 2 LVDS Serial Data Input
16	10	RxCLK IN-	Inverting LVDS Parallel Rate Clock Input
17	11	RxCLK IN+	Noninverting LVDS Parallel Rate Clock Input
19, 21	13, 15	PLL GND	PLL Ground
20	14	PLL V _{CC}	PLL Supply Voltage
22	16	$\overline{\text{PWRDWN}}$	5V Tolerant LVTTTL/LVCMOS Power-Down Input. Internally pulled down to GND. Outputs are high impedance when PWRDWN = low or open.
23	17	RxCLK OUT	Parallel Rate Clock Single-Ended Output. MAX9210/MAX9212/MAX9214/MAX9216, rising edge strobe. MAX9220/MAX9222, falling edge strobe.
24, 26, 27, 29, 30, 31, 33	18, 20, 21, 23, 24, 25, 27	RxOUT0– RxOUT6	Channel 0 Single-Ended Outputs
28, 36, 48	22, 30, 42	V _{CCO}	Output Supply Voltage
34, 35, 37, 39, 40, 41, 43	28, 29, 31, 33, 34, 35, 37	RxOUT7– RxOUT13	Channel 1 Single-Ended Outputs
42	36	V _{CC}	Digital Supply Voltage
—	EP	EP	Exposed Paddle. Solder to ground.

Programmable DC-Balance 21-Bit Deserializers

MAX9210/MAX9212/MAX9214/MAX9216/MAX9220/MAX9222

Table 1. DC-Balance Programming

DEVICE	DCB/NC	OUTPUT STROBE EDGE	OPERATING MODE	OPERATING FREQUENCY (MHz)
MAX9210	High or open	Rising	DC balanced	8 to 34
	Low		Non-DC balanced	10 to 40
MAX9212	High	Rising	DC balanced	8 to 34
	Low or open		Non-DC balanced	10 to 40
MAX9214	High or open	Rising	DC balanced	16 to 66
	Low		Non-DC balanced	20 to 85
MAX9216	High	Rising	DC balanced	16 to 66
	Low or open		Non-DC balanced	20 to 85
MAX9220	High or open	Falling	DC balanced	8 to 34
	Low		Non-DC balanced	10 to 40
MAX9222	High or open	Falling	DC balanced	16 to 66
	Low		Non-DC balanced	20 to 85

Detailed Description

The MAX9210/MAX9212/MAX9220 operate at a parallel clock frequency of 8MHz to 34MHz in DC-balanced mode and 10MHz to 40MHz in non-DC-balanced mode. The MAX9214/MAX9216/MAX9222 operate at a parallel clock frequency of 16MHz to 66MHz in DC-balanced mode and 20MHz to 85MHz in non-DC-balanced mode. The transition times of the single-ended outputs are increased on the MAX9210/MAX9212/MAX9220 for reduced EMI.

DC-balanced or non-DC-balanced operation is controlled by the DCB/NC pin (see Table 1 for DCB/NC default settings and operating modes). In non-DC-balanced mode, each channel deserializes 7 bits every cycle of the parallel clock. In DC-balanced mode, 9 bits are deserialized every clock cycle (7 data bits + 2 DC-balance bits). The highest data rate in DC-balanced mode for the MAX9214, MAX9216, and MAX9222 is 66MHz x 9 = 594Mbps. In non-DC-balanced mode, the maximum data rate is 85MHz x 7 = 595Mbps.

DC Balance

Data coding by the MAX9209/MAX9211/MAX9213/MAX9215 serializers (which are companion devices to the MAX9210/MAX9212/MAX9214/MAX9216/MAX9220/MAX9222 deserializers) limits the imbalance of ones and zeros transmitted on each channel. If +1 is assigned to each binary 1 transmitted and -1 is assigned to each binary 0 transmitted, the variation in the running sum of assigned values is called the digital sum variation (DSV). The maximum DSV for the data channels is 10. At most, 10 more zeros than ones, or 10 more ones than zeros, are transmitted. The maximum DSV for the clock

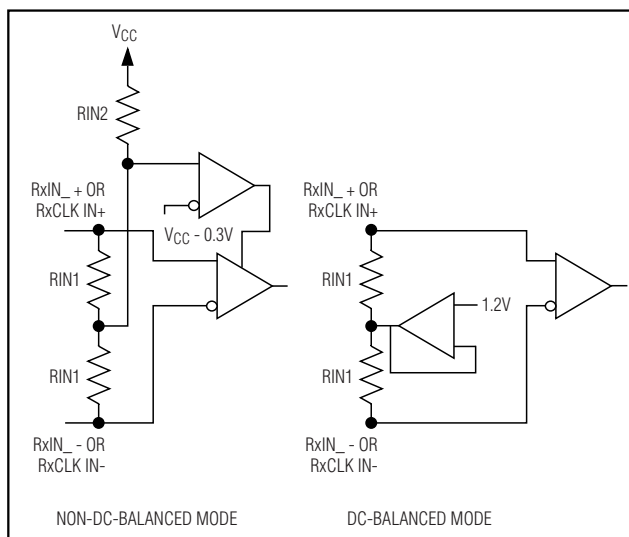


Figure 1. LVDS Input Circuits

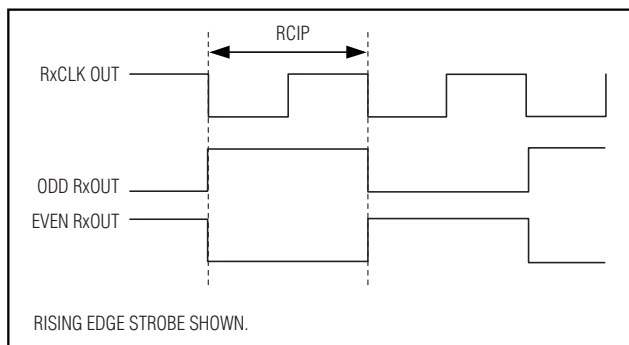


Figure 2. Worst-Case Test Pattern

Programmable DC-Balance 21-Bit Deserializers

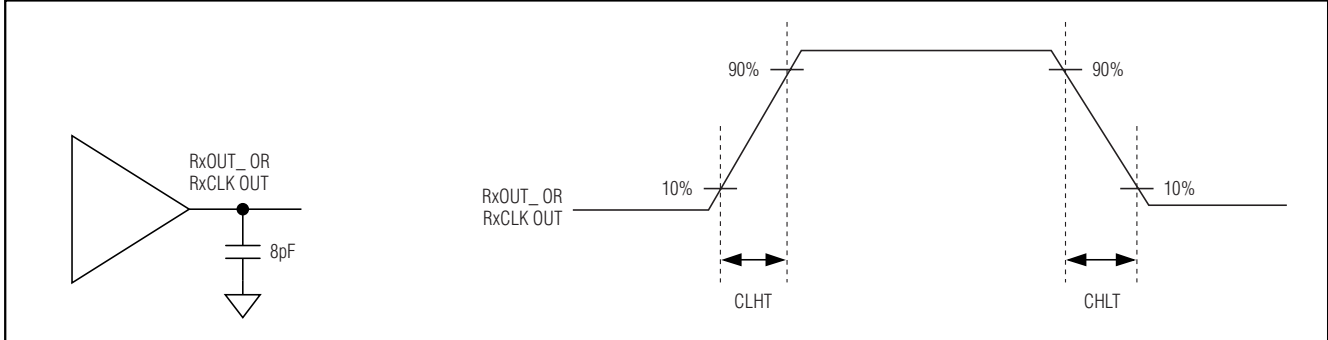


Figure 3. Output Load and Transition Times

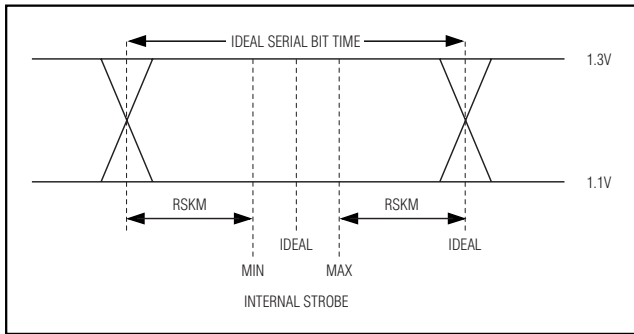


Figure 4. LVDS Receiver Input Skew Margin

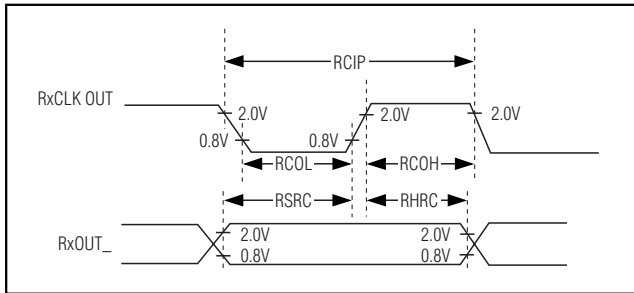


Figure 5a. Rising-Edge Output Setup/Hold and High/Low Times

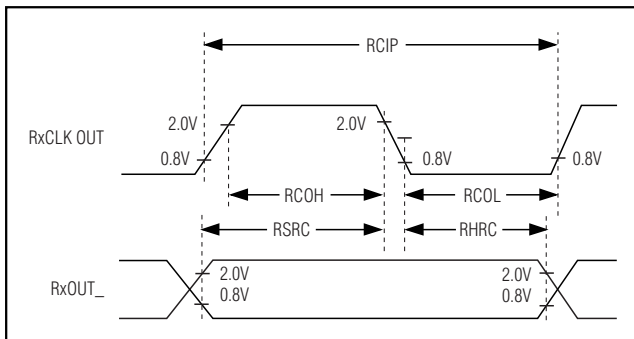


Figure 5b. Falling-Edge Output Setup/Hold and High/Low Times

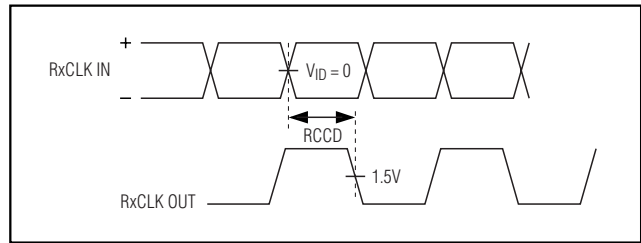


Figure 6a. Rising-Edge Clock-IN to Clock-OUT Delay

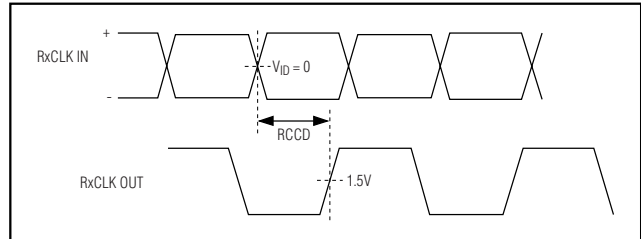


Figure 6b. Falling-Edge Clock-IN to Clock-OUT Delay

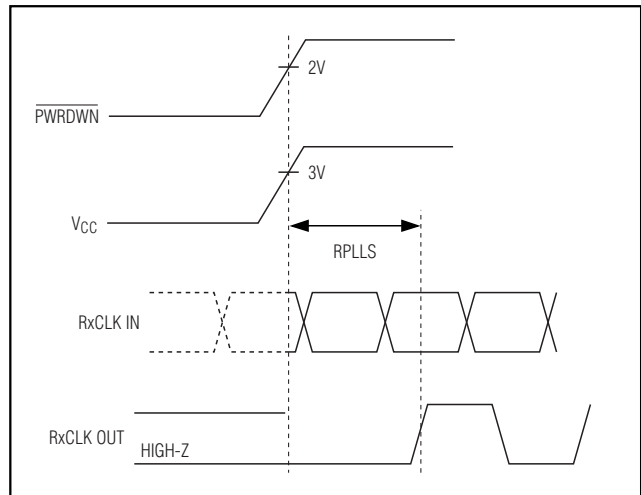


Figure 7. Phase-Locked Loop Set Time

Programmable DC-Balance 21-Bit Deserializers

MAX9210/MAX9212/MAX9214/MAX9216/MAX9220/MAX9222

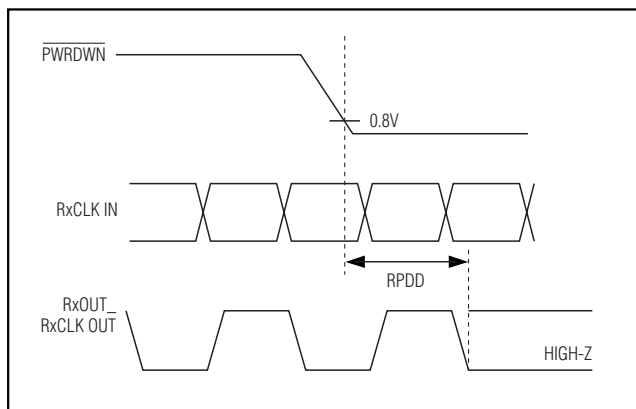


Figure 8. Power-Down Delay

channel is five. Limiting the DSV and choosing the correct coupling capacitors maintains differential signal amplitude and reduces jitter due to droop on AC-coupled links.

To obtain DC balance on the data channels, the serializer parallel data is inverted or not inverted, depending on the sign of the digital sum at the word boundary. Two complementary bits are appended to each group of 7 parallel input data bits to indicate to the MAX9210/MAX9212/MAX9214/MAX9216/MAX9220/MAX9222 deserializers whether the data bits are inverted (see Figures 9 and 10). The deserializer restores the original state of the parallel data. The LVDS clock signal alternates duty cycles of 4/9 and 5/9, which maintain DC balance.

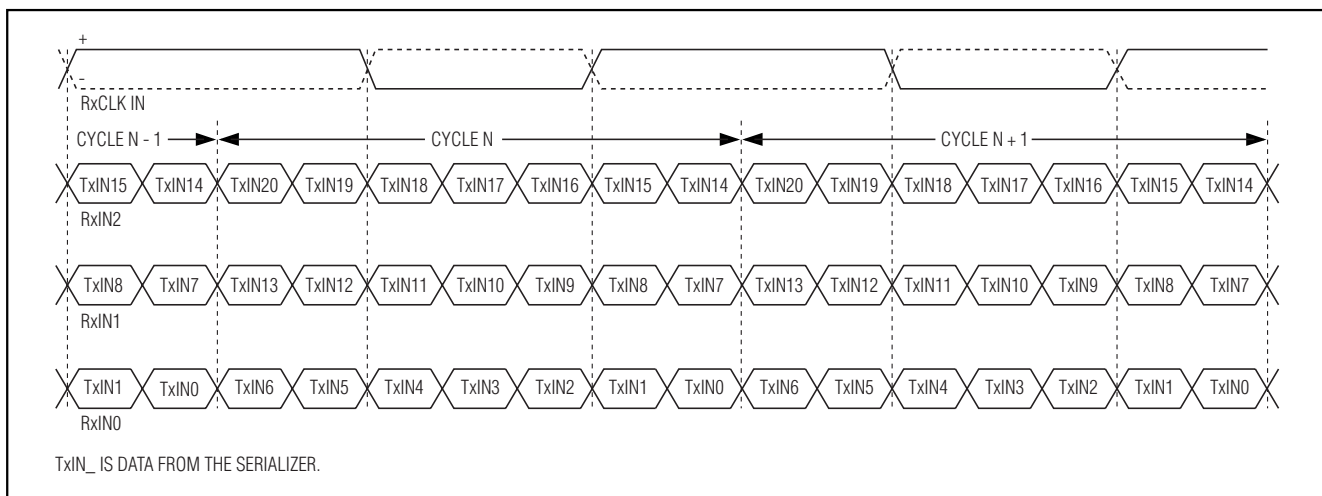


Figure 9. Deserializer Serial Input in Non-DC-Balanced Mode

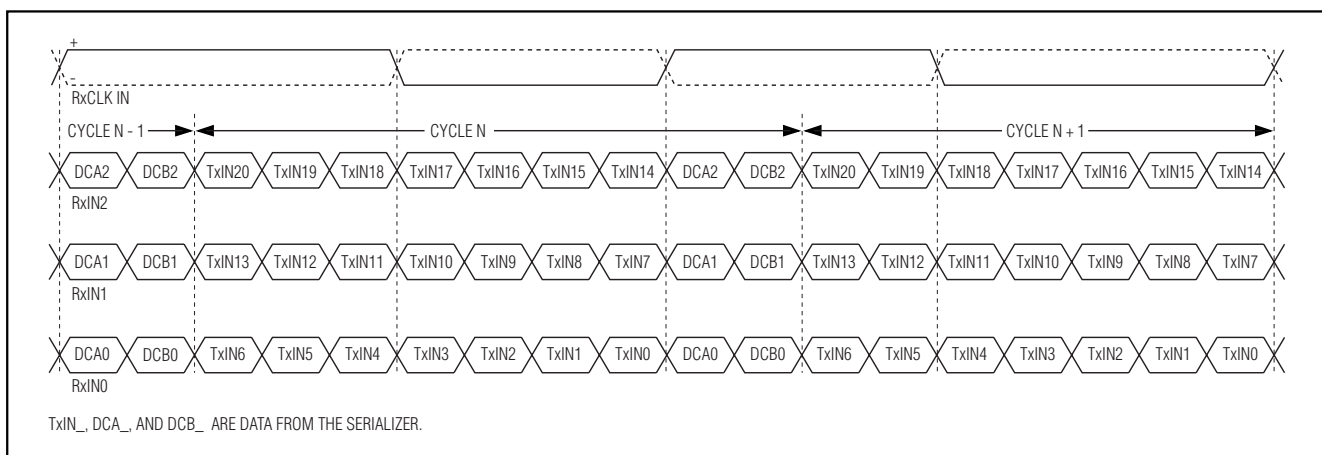


Figure 10. Deserializer Serial Input in DC-Balanced Mode

Programmable DC-Balance 21-Bit Deserializers

AC-Coupling Benefits

Bit errors experienced with DC-coupling can be eliminated by increasing the receiver common-mode voltage range by AC-coupling. AC-coupling increases the common-mode voltage range of an LVDS receiver to nearly the voltage rating of the capacitor. The typical LVDS driver output is 350mV centered on an offset voltage of 1.25V, making single-ended output voltages of 1.425V and 1.075V. An LVDS receiver accepts signals from 0 to 2.4V, allowing approximately $\pm 1V$ common-mode difference between the driver and receiver on a DC-coupled link ($2.4V - 1.425V = 0.975V$ and $1.075V - 0V = 1.075V$). Common-mode voltage differences may be due to ground potential variation or common-mode noise. If there is more than $\pm 1V$ of difference, the receiver is not guaranteed to read the input signal correctly and may cause bit errors. AC-coupling filters low-frequency ground shifts and common-mode noise and passes high-frequency data. A common-mode voltage differ-

ence up to the voltage rating of the coupling capacitor (minus half the differential swing) is tolerated. DC-balanced coding of the data is required to maintain the differential signal amplitude and limit jitter on an AC-coupled link. A capacitor in series with each output of the LVDS driver is sufficient for AC-coupling. However, two capacitors—one at the serializer output and one at the deserializer input—provide protection in case either end of the cable is shorted to a high voltage.

Applications Information

Selection of AC-Coupling Capacitors

Voltage droop and the DSV of transmitted symbols cause signal transitions to start from different voltage levels. Because the transition time is finite, starting the signal transition from different voltage levels causes timing jitter. The time constant for an AC-coupled link needs to be chosen to reduce droop and jitter to an acceptable level.

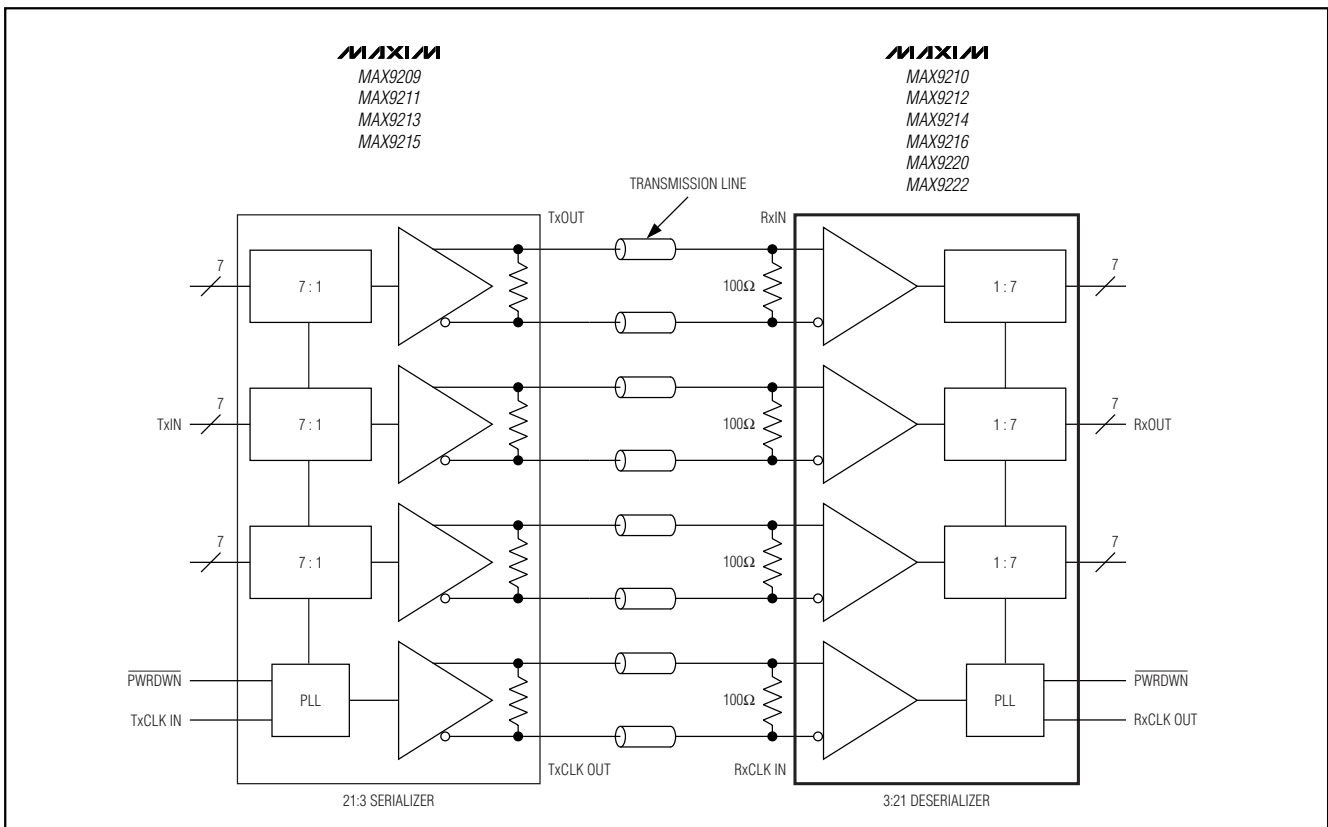


Figure 11. DC-Coupled Link, Non-DC-Balanced Mode

Programmable DC-Balance 21-Bit Deserializers

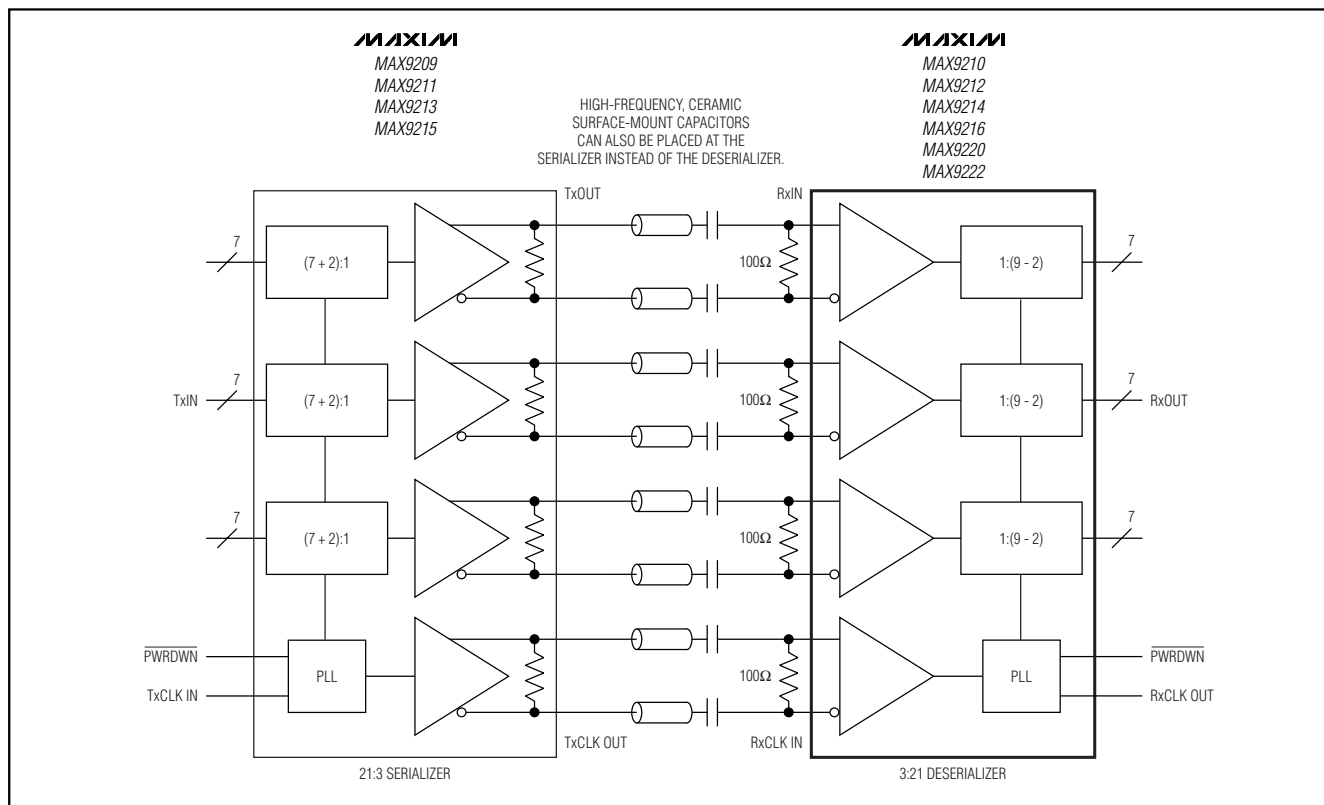


Figure 12. Two Capacitors per Link, AC-Coupled, DC-Balanced Mode

The RC network for an AC-coupled link consists of the LVDS receiver termination resistor (R_T), the LVDS driver output resistor (R_O), and the series AC-coupling capacitors (C). The RC time constant for two equal-value series capacitors is $(C \times (R_T + R_O))/2$ (Figure 12). The RC time constant for four equal-value series capacitors is $(C \times (R_T + R_O))/4$ (Figure 13).

R_T is required to match the transmission line impedance (usually 100Ω) and R_O is determined by the LVDS driver design (the minimum differential output resistance of 78Ω for the MAX9209/MAX9211/MAX9213/MAX9215 serializers is used in the following example). This leaves the capacitor selection to change the system time constant.

In the following example, the capacitor value for a droop of 2% is calculated. Jitter due to this droop is then calculated assuming a 1ns transition time:

$$C = - (2 \times t_B \times DSV) / (\ln(1 - D) \times (R_T + R_O)) \quad (\text{Eq 1})$$

where:

- C = AC-coupling capacitor (F).
- t_B = bit time (s).
- DSV = digital sum variation (integer).
- \ln = natural log.
- D = droop (% of signal amplitude).
- R_T = termination resistor (Ω).
- R_O = output resistance (Ω).

Equation 1 is for two series capacitors (Figure 12). The bit time (t_B) is the period of the parallel clock divided by 9. The DSV is 10. See equation 3 for four series capacitors (Figure 13).

The capacitor for 2% maximum droop at 8MHz parallel rate clock is:

$$C = - (2 \times t_B \times DSV) / (\ln(1 - D) \times (R_T + R_O))$$

$$C = - (2 \times 13.9\text{ns} \times 10) / (\ln(1 - 0.02) \times (100\Omega + 78\Omega))$$

$$C = 0.0773\mu\text{F}$$

MAX9210/MAX9212/MAX9214/MAX9216/MAX9220/MAX9222

Programmable DC-Balance 21-Bit Deserializers

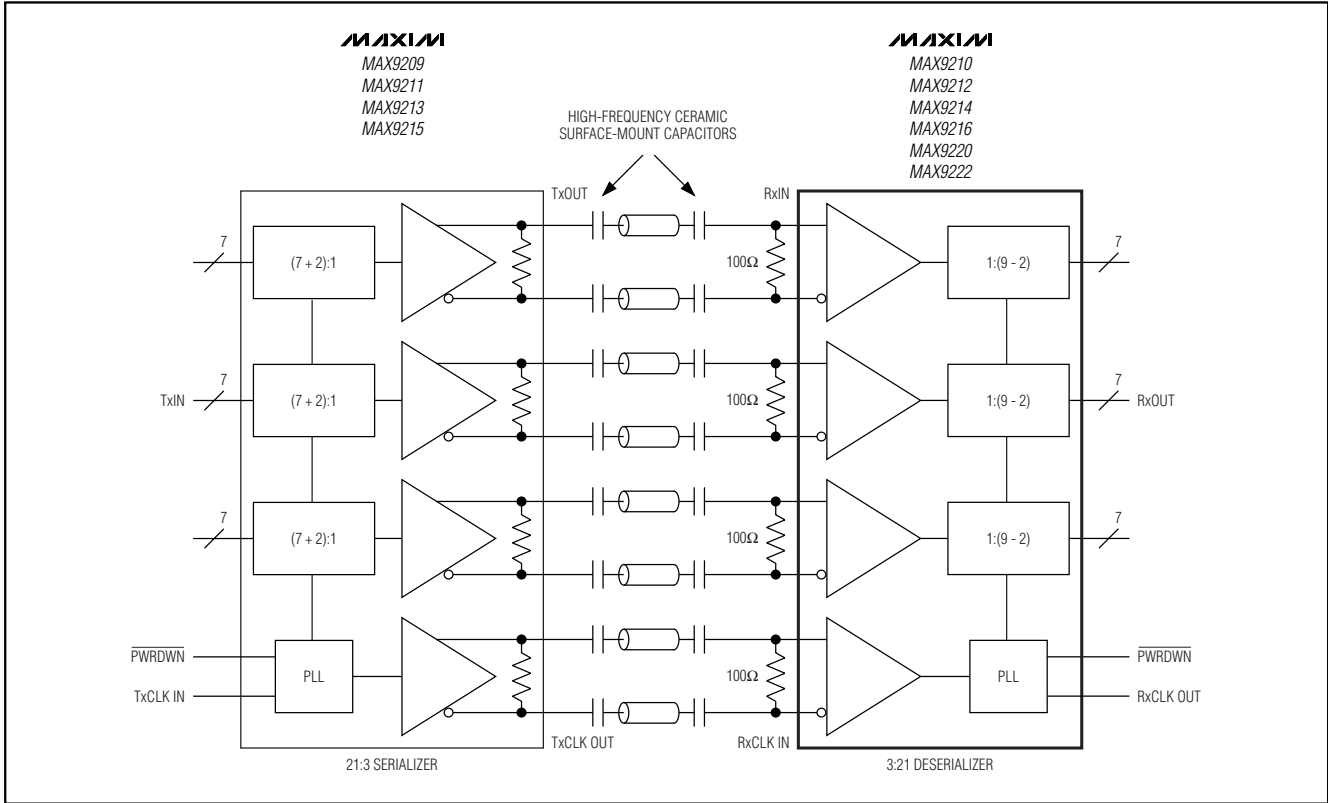


Figure 13. Four Capacitors per Link, AC-Coupled, DC-Balanced Mode

Jitter due to droop is proportional to the droop and transition time:

$$t_J = t_T \times D \text{ (Eq 2)}$$

where:

t_J = jitter (s).

t_T = transition time (s) (0 to 100%).

D = droop (% of signal amplitude).

Jitter due to 2% droop and assumed 1ns transition time is:

$$t_J = 1\text{ns} \times 0.02$$

$$t_J = 20\text{ps}$$

The transition time in a real system depends on the frequency response of the cable driven by the serializer. The capacitor value decreases for a higher frequency parallel clock and for higher levels of droop and jitter. Use high-frequency, surface-mount ceramic capacitors.

Equation 1 altered for four series capacitors (Figure 13) is:

$$C = - (4 \times t_B \times \text{DSV}) / (\ln(1 - D) \times (R_T + R_O)) \text{ (Eq 3)}$$

Fail-Safe

The MAX9210/MAX9212/MAX9214/MAX9216/MAX9220/MAX9222 have fail-safe LVDS inputs in non-DC-balanced mode (Figure 1). Fail-safe drives the outputs low when the corresponding LVDS input is open, undriven and shorted, or undriven and parallel terminated. The fail-safe on the LVDS clock input drives all outputs low. Fail-safe does not operate in DC-balanced mode.

Input Bias and Frequency Detection

In DC-balanced mode, the inverting and noninverting LVDS inputs are internally connected to +1.2V through 42kΩ (min) to provide biasing for AC-coupling (Figure 1). A frequency-detection circuit on the clock input detects when the input is not switching, or is switching at low frequency. In this case, all outputs are driven low. To prevent switching due to noise when the clock input is not driven, bias the clock input to differential +15mV by connecting a 10kΩ ±1% pullup resistor between the noninverting input and V_{CC}, and a 10kΩ ±1% pulldown resistor between the inverting input and ground. These

Programmable DC-Balance 21-Bit Deserializers

bias resistors, along with the $100\Omega \pm 1\%$ tolerance termination resistor, provide +15mV of differential input. However, the +15mV bias causes degradation of RSKM proportional to the slew rate of the clock input. For example, if the clock transitions 250mV in 500ps, the slew rate of 0.5mV/ps reduces RSKM by 30ps.

Unused LVDS Data Inputs

In non-DC-balanced mode, leave unused LVDS data inputs open. In non-DC balanced mode, the input fail-safe circuit drives the corresponding outputs low and no pullup or pulldown resistors are needed. In DC-balanced mode, at each unused LVDS data input, pull the inverting input up to V_{CC} using a $10k\Omega$ resistor, and pull the noninverting input down to ground using a $10k\Omega$ resistor. Do not connect a termination resistor. The pullup and pulldown resistors drive the corresponding outputs low and prevent switching due to noise.

PWRDWN

Driving \overline{PWRDWN} low puts the outputs in high impedance, stops the PLL, and reduces supply current to $50\mu A$ or less. Driving \overline{PWRDWN} high drives the outputs low until the PLL locks. The outputs of two deserializers can be bused to form a 2:1 mux with the outputs controlled by \overline{PWRDWN} . Wait 100ns between disabling one deserializer (driving \overline{PWRDWN} low) and enabling the second one (driving \overline{PWRDWN} high) to avoid contention of the bused outputs.

Input Clock and PLL Lock Time

There is no required timing sequence for the application or reapplication of the parallel rate clock (RxCLK IN) relative to \overline{PWRDWN} , or to a power-supply ramp for proper PLL lock. The PLL lock time is set by an internal counter. The maximum time to lock is 32,800 clock periods. Power and clock should be stable to meet the lock time specification. When the PLL is locking, the outputs are low.

Power-Supply Bypassing

There are separate on-chip power domains for digital circuits, outputs, PLL, and LVDS inputs. Bypass each V_{CC} , V_{CCO} , PLL V_{CC} , and LVDS V_{CC} pin with high-frequency, surface-mount ceramic $0.1\mu F$ and $0.001\mu F$ capacitors in parallel as close to the device as possible, with the smallest value capacitor closest to the supply pin.

Cables and Connectors

Interconnect for LVDS typically has a differential impedance of 100Ω . Use cables and connectors that have matched differential impedance to minimize impedance discontinuities.

Twisted-pair and shielded twisted-pair cables offer superior signal quality compared to ribbon cable and tend to generate less EMI due to magnetic field canceling effects. Balanced cables pick up noise as common mode, which is rejected by the LVDS receiver.

Board Layout

Keep the LVTTTL/LVCMOS outputs and LVDS input signals separated to prevent crosstalk. A four-layer PC board with separate layers for power, ground, LVDS inputs, and digital signals is recommended.

IEC 61000-4-2 Level 4 ESD Protection

The IEC 61000-4-2 standard specifies ESD tolerance for electronic systems. The IEC 61000-4-2 model (Figure 14) specifies a $150pF$ capacitor that is discharged into the device through a 330Ω resistor. The MAX9210/MAX9212/MAX9214/MAX9216/MAX9220/MAX9222 LVDS inputs are rated for IEC 61000-4-2 level 4 ($\pm 8kV$ contact discharge and $\pm 15kV$ air discharge). IEC 61000-4-2 discharges higher peak current and more energy than the HBM due to the lower series resistance and larger capacitor. The HBM (Figure 15) specifies a $100pF$ capacitor that is discharged into the device through a $1.5k\Omega$ resistor. All pins are rated for $\pm 5kV$ HBM.

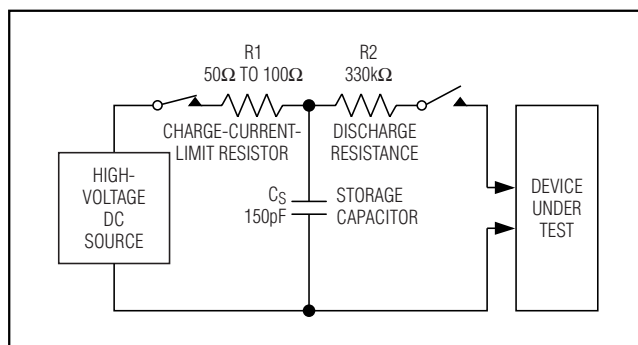


Figure 14. IEC 61000-4-2 Contact Discharge ESD Test Circuit

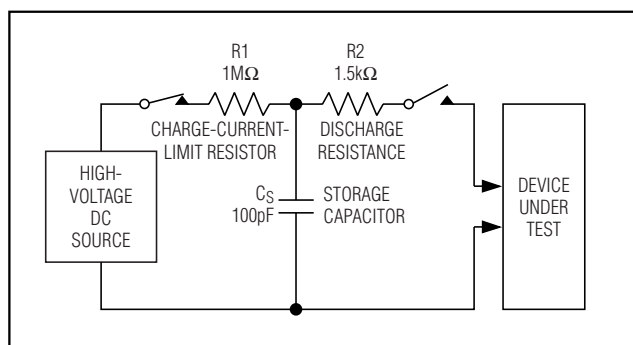


Figure 15. Human Body ESD Test Circuit

Programmable DC-Balance 21-Bit Deserializers

5V Tolerant Input

PWRDWN is 5V tolerant and is internally pulled down to GND. DCB/NC is not 5V tolerant. The input voltage range for DCB/NC is nominally ground to V_{CC}. Normally, DCB/NC is connected to V_{CC} or ground.

Skew Margin (RSKM)

Skew margin (RSKM) is the time allowed for degradation of the serial data sampling setup and hold times by sources other than the deserializer. The deserializer sampling uncertainty is accounted for and does not need to be subtracted from RSKM. The main outside contributors of jitter and skew that subtract from RSKM are interconnect intersymbol interference, serializer pulse position uncertainty, and pair-to-pair path skew.

V_{CCO} Output Supply and Power Dissipation

The outputs have a separate supply (V_{CCO}) for interfacing to systems with 1.8V to 5V nominal input logic levels. The *DC Electrical Characteristics* table gives the maximum supply current for V_{CCO} = 3.6V with 8pF load at several switching frequencies with all outputs switching in the worst-case switching pattern. The approximate incremental supply current for V_{CCO} other than 3.6V **with the same 8pF load and worst-case pattern** can be calculated using:

$$I_I = C_T V_I 0.5f_C \times 21 \text{ (data outputs)} \\ + C_T V_I f_C \times 1 \text{ (clock output)}$$

where:

I_I = incremental supply current.

C_T = total internal (C_{INT}) and external (C_L) load capacitance.

V_I = incremental supply voltage.

f_C = output clock switching frequency.

The incremental current is added to (for V_{CCO} > 3.6V) or subtracted from (for V_{CCO} < 3.6V) the *DC Electrical Characteristics* table maximum supply current. The internal output buffer capacitance is C_{INT} = 6pF. The worst-case pattern switching frequency of the data outputs is half the switching frequency of the output clock.

In the following example, the incremental supply current is calculated for V_{CCO} = 5.5V, f_C = 34MHz, and C_L = 8pF:

$$V_I = 5.5V - 3.6V = 1.9V$$

$$C_T = C_{INT} + C_L = 6pF + 8pF = 14pF$$

where:

I_I = C_TV_I 0.5f_C × 21 (data outputs) + C_TV_If_C × 1 (clock output).

I_I = (14pF × 1.9V × 0.5 × 34MHz × 21) + (14pF × 1.9V × 34MHz).

I_I = 9.5mA + 0.9mA = 10.4mA.

The maximum supply current in DC-balanced mode for V_{CC} = V_{CCO} = 3.6V at f_C = 34MHz is 106mA (from the *DC Electrical Characteristics* table). Add 10.4mA to get the total approximate maximum supply current at V_{CCO} = 5.5V and V_{CC} = 3.6V.

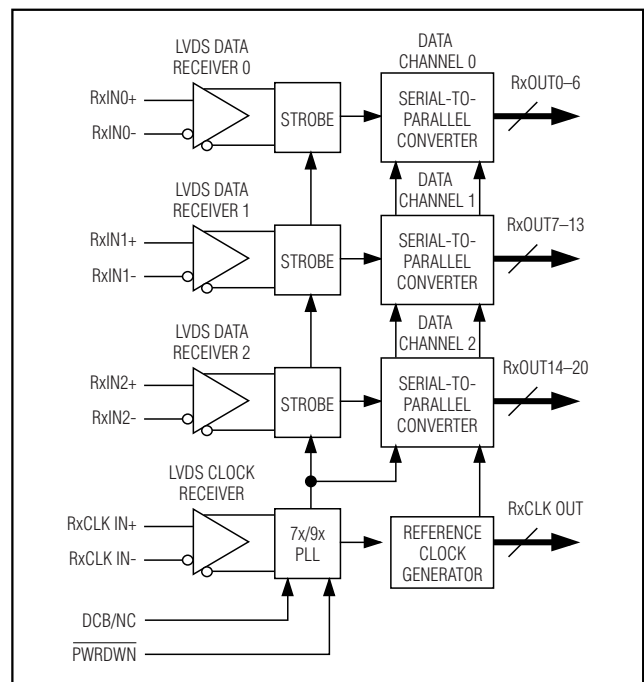
If the output supply voltage is less than V_{CCO} = 3.6V, the reduced supply current can be calculated using the same formula and method.

At high switching frequency, high supply voltage, and high capacitive loading, power dissipation can exceed the package power dissipation rating. Do not exceed the maximum package power dissipation rating. See the *Absolute Maximum Ratings* for maximum package power dissipation capacity and temperature derating.

Rising- or Falling-Edge Output Strobe

The MAX9210/MAX9212/MAX9214/MAX9216 have a rising-edge output strobe, which latches the parallel output data into the next chip on the rising edge of RxCLK OUT. The MAX9220/MAX9222 have a falling-edge output strobe, which latches the parallel output data into the next chip on the falling edge of RxCLK OUT. The deserializer output strobe polarity does not need to match the serializer input strobe polarity. A deserializer with rising or falling edge output strobe can be driven by a serializer with a rising edge input strobe.

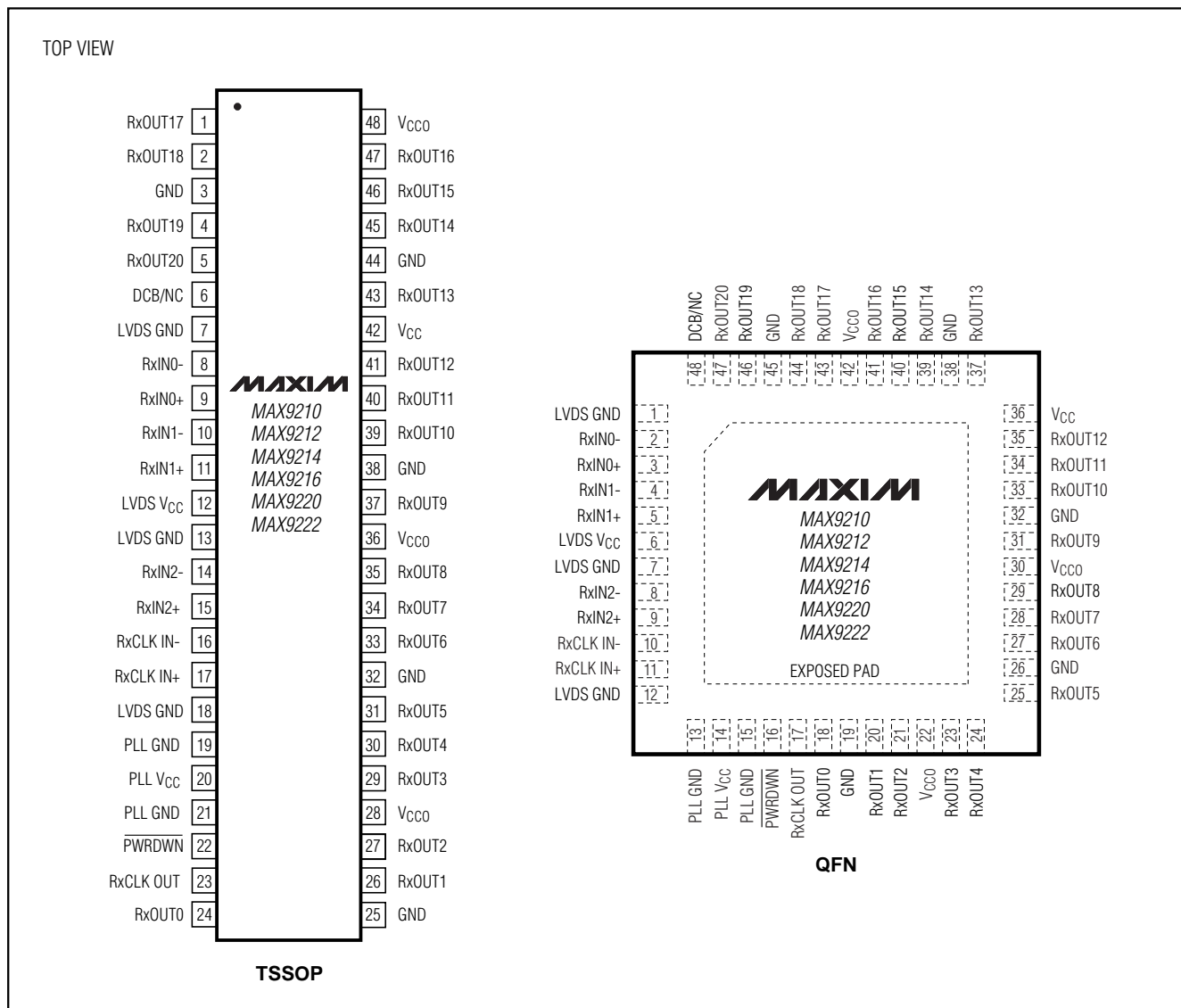
Functional Diagram



Programmable DC-Balance 21-Bit Deserializers

Pin Configurations

MAX9210/MAX9212/MAX9214/MAX9216/MAX9220/MAX9222



Chip Information

MAX9210 TRANSISTOR COUNT: 10,248

MAX9212 TRANSISTOR COUNT: 10,248

MAX9214 TRANSISTOR COUNT: 10,248

MAX9216 TRANSISTOR COUNT: 10,248

MAX9220 TRANSISTOR COUNT: 10,248

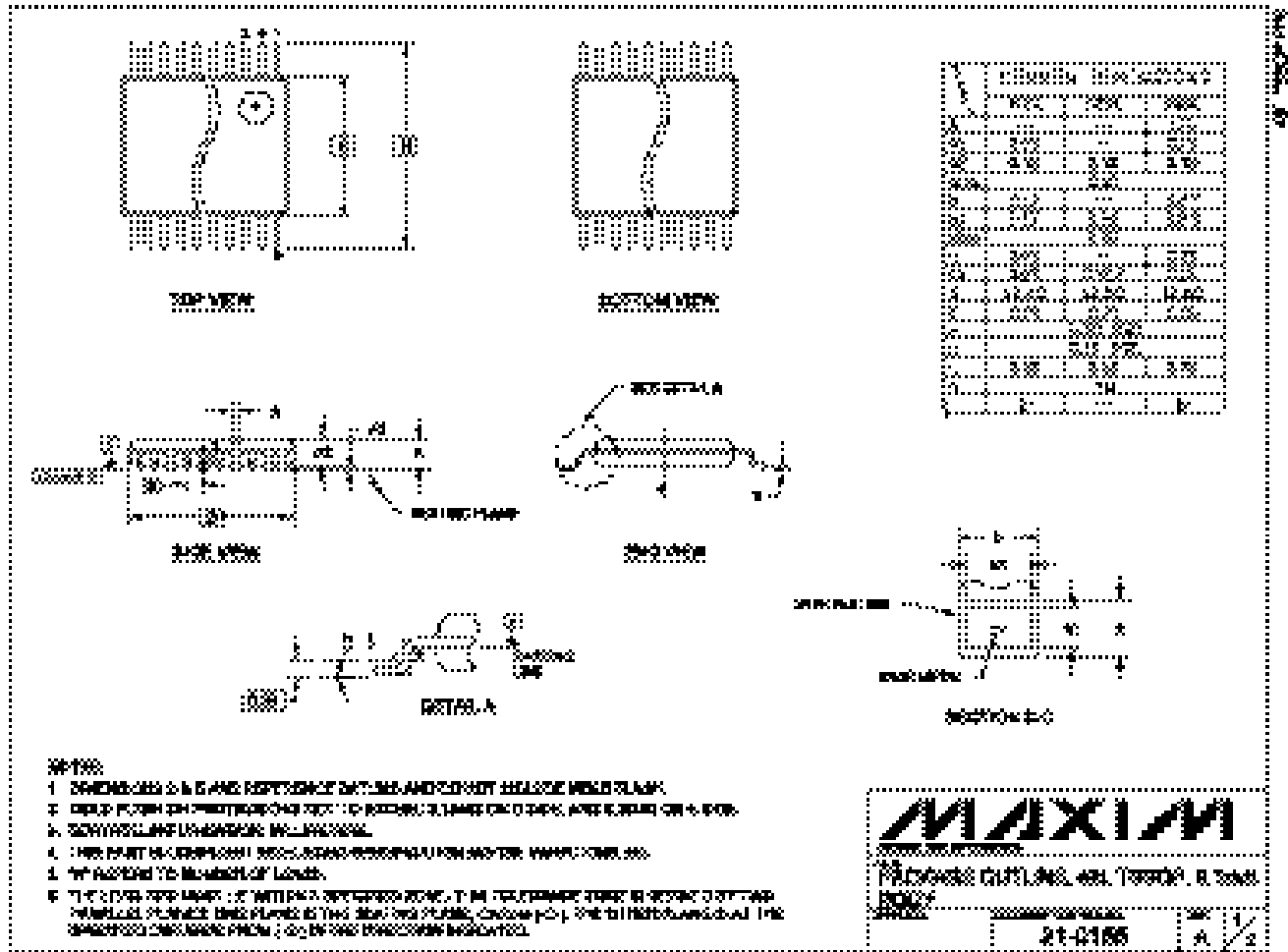
MAX9222 TRANSISTOR COUNT: 10,248

PROCESS: CMOS

Programmable DC-Balance 21-Bit Deserializers

Package Information

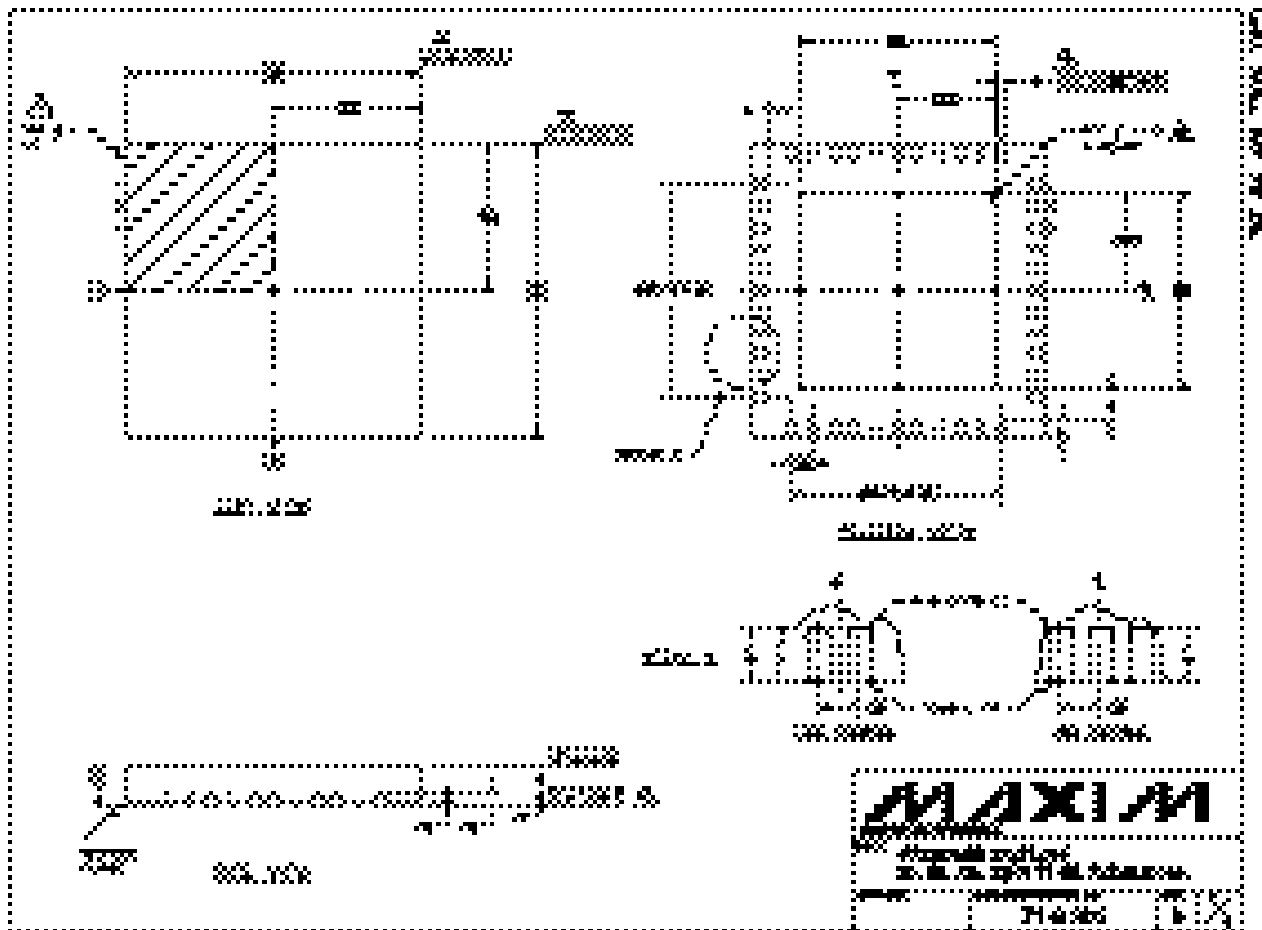
(The package drawing(s) in this data sheet may not reflect the most current specifications. For the latest package outline information, go to www.maxim-ic.com/packages.)



Programmable DC-Balance 21-Bit Deserializers

Package Information (continued)

(The package drawing(s) in this data sheet may not reflect the most current specifications. For the latest package outline information, go to www.maxim-ic.com/packages.)



MAX9210/MAX9212/MAX9214/MAX9216/MAX9220/MAX9222

Programmable DC-Balance 21-Bit Deserializers

Package Information (continued)

(The package drawing(s) in this data sheet may not reflect the most current specifications. For the latest package outline information, go to www.maxim-ic.com/packages.)

MAX9210/MAX9212/MAX9214/MAX9216/MAX9220/MAX9222

MAX9210/MAX9212/MAX9214/MAX9216/MAX9220/MAX9222

1.0mm

MAXIM

MAX9210/MAX9212/MAX9214/MAX9216/MAX9220/MAX9222

20-0134

1

2

3

4

5

6

7

8

9

10

11

12

13

14

15

16

17

18

19

20

21

22

23

24

25

26

27

28

29

30

31

32

33

34

35

36

37

38

39

40

41

42

43

44

45

46

47

48

49

50

51

52

53

54

55

56

57

58

59

60

61

62

63

64

65

66

67

68

69

70

71

72

73

74

75

76

77

78

79

80

81

82

83

84

85

86

87

88

89

90

91

92

93

94

95

96

97

98

99

100

101

102

103

104

105

106

107

108

109

110

111

112

113

114

115

116

117

118

119

120

121

122

123

124

125

126

127

128

129

130

131

132

133

134

135

136

137

138

139

140

141

142

143

144

145

146

147

148

149

150

151

152

153

154

155

156

157

158

159

160

161

162

163

164

165

166

167

168

169

170

171

172

173

174

175

176

177

178

179

180

181

182

183

184

185

186

187

188

189

190

191

192

193

194

195

196

197

198

199

200

201

202

203

204

205

206

207

208

209

210

211

212

213

214

215

216

217

218

219

220

221

222

223

224

225

226

227

228

229

230

231

232

233

234

235

236

237

238

239

240

241

242

243

244

245

246

247

248

249

250

251

252

253

254

255

256

257

258

259

260

261

262

263

264

265

266

267

268

269

270

271

272

273

274

275

276

277

278

279

280

281

282

283

284

285

286

287

288

289

290

291

292

293

294

295

296

297

298

299

300

301

302

303

304

305

306

307

308

309

310

311

312

313

314

315

316

317

318

319

320

321

322

323

324

325

326

327

328

329

330

331

332

333

334

335

336

337

338

339

340

341

342

343

344

345

346

347

348

349

350

351

352

353

354

355

356

357

358

359

360

361

362

363

364

365

366

367

368

369

370

371

372

373

374

375

376

377

378

379

380

381

382

383

384

385

386

387

388

389

390

391

392

393

394

395

396

397

398

399

400

401

402

403

404

405

406

407

408

409

410

411

412

413

414

415

416

417

418

419

420

421

422

423

424

425

426

427

428

429

430

431

432

433

434

435

436

437

438

439

440

441

442

443

444

445

446

447

448

449

450

451

452

453

454

455

456

457

458

459

460

461

462

463

464

465

466

467

468

469

470

471

472

473

474

475

476

477

478

479

480

481

482

483

484

485

486

487

488

489

490

491

492

493

494

495

496

497

498

499

500

501

502

503

504

505

506

507

508

509

510

511

512

513

514

515

516

517

518

519

520

521

522

523

524

525

526

527

528

529

530

531

532

533

534

535

536

537

538

539

540

541

542

543

544

545

546

547

548

549

550

551

552

553

554

555

556

557

558

559

560

561

562

563

564

565

566

567

568

569

570

571

572

573

574

575

576

577

578

579

580

581

582

583

584

585

586

587

588

589

590

591

592

593

594

595

596

597

598

599

600

601

602

603

604

605

606

607

608

609

610

611

612

613

614

615

616

617

618

619

620

621

622

623

624

625

626

627

628

629

630

631

632

633

634

635

636

637

638

639

640

641

642

643

644

645

646

647

648

649

650

651

652

653

654

655

656

657

658

659

660

661

662

663

664

665

666

667

668

669

670

671

672

673

674

675

676

677

678

679

680

681

682

683

684

685

686

687

688

689

690

691

692

693

694

695

696

697

698

699

700

701

702

703

704

705

706

707

708

709

710

711

712

713

714

715

716

717

718

719

720

721

722

723

724

725

726

727

728

729

730

731

732

733

734

735

736

737

738

739

740

741

742

743

744

745

746

747

748

749

750

751

752

753

754

755

756

757

758

759

760

761

762

763

764

765

766

767

768

769

770

771

772

773

774

775

776

777

778

779

780

781

782

783

784

785

786

787

788

789

790

791

792

793

794

795

796

797

798

799

800

801

802

803

804

805

806

807

808

809

810

811

812

813

814

815

816

817

818

819

820

821

822

823

824

825

826

827

828

829

830

831

832

833

834

835

836

837

838

839

840

841

842

843

844

845

846

847

848

849

850

851

852

853

854

855

856

857

858

859

860

861

862

863

864

865

866

867

868

869

870

871

872

873

874

875

876

877

878

879

880

881

882

883

884

885

886

887

888

889

890

891

892

893

894

895

896

897

898

899

900

901

902

903

904

905

906

907

908

909

910

911

912

913

914

915

916

917

918

919

920

921

922

923

924

925

926

927

928

929

930

931

932

933

934

935

936

937

938

939

940

941

942

943

944

945

946

947

948

949

950

951

952

953

954

955

956

957

958

959

960

961

962

963

964

965

966

967

968

969

970

971

972

973

974

975

976

977

978

979

980

981

982

983

984

985

986

987

988

989

990

991

992

993

994

995

996

997

998

999

1000

Maxim cannot assume responsibility for use of any circuitry other than circuitry entirely embodied in a Maxim product. No circuit patent licenses are implied. Maxim reserves the right to change the circuitry and specifications without notice at any time.